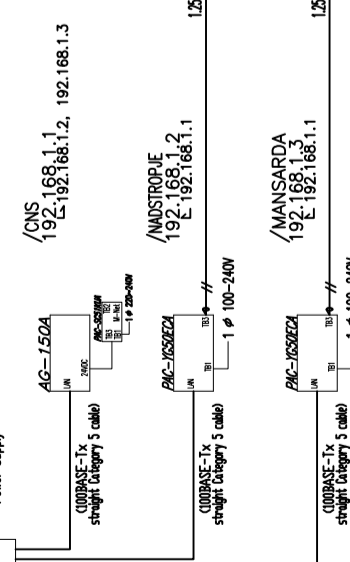


5-port switching HUB / RECEPCIONA



SYMBOL	DESCRIPTION	REF. PIPE
U1	0M-1100S-C2	
U2	0M-1100S-C2	
U3	0M-1100S-C2	
P1	9.52 / 22.89	
P2	9.52 / 15.89	
P3	6.35 / 12.89	
P4	6.35 / 12.05	
P5	9.52 / 15.89	

12mm for liquid pipe of P200 unit over 60m.

1.FAZA MANSARDA



SYMBOL	DESCRIPTION	REF. PIPE
U1	0M-1100S-C2	
U2	0M-1100S-C2	
U3	0M-1100S-C2	
P1	9.52 / 22.89	
P2	9.52 / 15.89	
P3	6.35 / 12.89	
P4	6.35 / 12.05	
P5	9.52 / 15.89	

1.FAZA MANSARDA



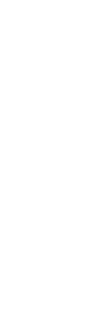
SYMBOL	DESCRIPTION	REF. PIPE
U1	0M-1100S-C2	
U2	0M-1100S-C2	
U3	0M-1100S-C2	
P1	9.52 / 22.89	
P2	9.52 / 15.89	
P3	6.35 / 12.89	
P4	6.35 / 12.05	
P5	9.52 / 15.89	

1.FAZA MANSARDA



SYMBOL	DESCRIPTION	REF. PIPE
U1	0M-1100S-C2	
U2	0M-1100S-C2	
U3	0M-1100S-C2	
P1	9.52 / 22.89	
P2	9.52 / 15.89	
P3	6.35 / 12.89	
P4	6.35 / 12.05	
P5	9.52 / 15.89	

1.FAZA MANSARDA



SYMBOL	DESCRIPTION	REF. PIPE
U1	0M-1100S-C2	
U2	0M-1100S-C2	
U3	0M-1100S-C2	
P1	9.52 / 22.89	
P2	9.52 / 15.89	
P3	6.35 / 12.89	
P4	6.35 / 12.05	
P5	9.52 / 15.89	

1.FAZA MANSARDA



SYMBOL	DESCRIPTION	REF. PIPE
U1	0M-1100S-C2	
U2	0M-1100S-C2	
U3	0M-1100S-C2	
P1	9.52 / 22.89	
P2	9.52 / 15.89	
P3	6.35 / 12.89	
P4	6.35 / 12.05	
P5	9.52 / 15.89	

1.FAZA MANSARDA



SYMBOL	DESCRIPTION	REF. PIPE
U1	0M-1100S-C2	
U2	0M-1100S-C2	
U3	0M-1100S-C2	
P1	9.52 / 22.89	
P2	9.52 / 15.89	
P3	6.35 / 12.89	
P4	6.35 / 12.05	
P5	9.52 / 15.89	

1.FAZA MANSARDA



SYMBOL	DESCRIPTION	REF. PIPE
U1	0M-1100S-C2	
U2	0M-1100S-C2	
U3	0M-1100S-C2	
P1	9.52 / 22.89	
P2	9.52 / 15.89	
P3	6.35 / 12.89	
P4	6.35 / 12.05	
P5	9.52 / 15.89	

1.FAZA MANSARDA

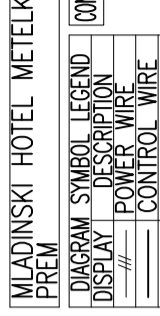


SYMBOL	DESCRIPTION	REF. PIPE
U1	0M-1100S-C2	
U2	0M-1100S-C2	
U3	0M-1100S-C2	
P1	9.52 / 22.89	
P2	9.52 / 15.89	
P3	6.35 / 12.89	
P4	6.35 / 12.05	
P5	9.52 / 15.89	

1.FAZA MANSARDA



SYMBOL	DESCRIPTION	REF. PIPE
U1	0M-1100S-C2	
U2	0M-1100S-C2	
U3	0M-1100S-C2	
P1	9.52 / 22.89	
P2	9.52 / 15.89	
P3	6.35 / 12.89	
P4	6.35 / 12.05	
P5	9.52 / 15.89	



MLADINSKI HOTEL METELKOVA  
PREM  
PAGE 1 / 1

SYMBOL	DESCRIPTION	REF. PIPE
U1	0M-1100S-C2	
U2	0M-1100S-C2	
U3	0M-1100S-C2	
P1	9.52 / 22.89	
P2	9.52 / 15.89	
P3	6.35 / 12.89	
P4	6.35 / 12.05	
P5	9.52 / 15.89	

